

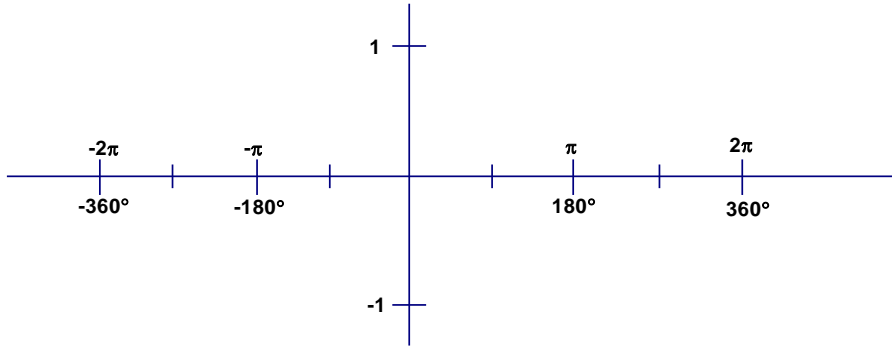
10-1 Trigonometric Functions

Name: _____

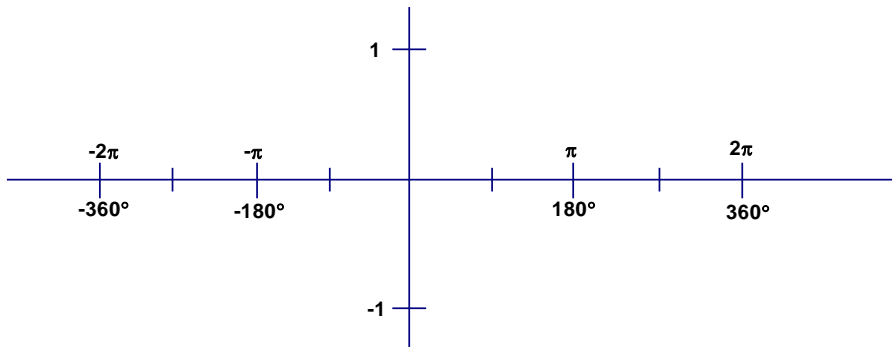
Time> Start: _____ Finish: _____ Total Time = _____

Graph the following parent graphs of the functions on the graphs below.

1. $y = \sin \theta$



2. $y = \cos \theta$



3. $y = \tan \theta$

